



HEIDENHAIN



Product Information

ECN 1123 S **EQN 1135 S**

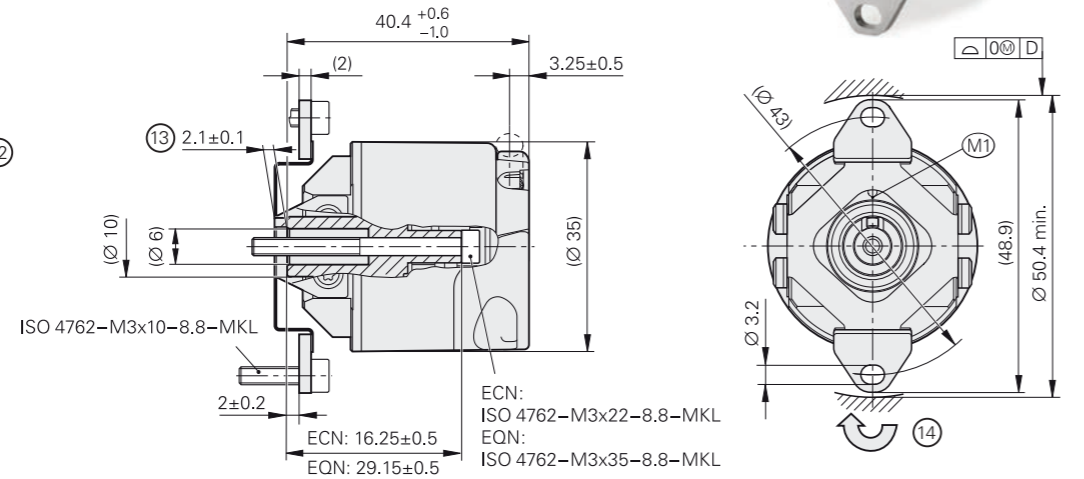
Absolute Rotary Encoders
with DRIVE-CLiQ Interface for
Safety-Related Applications

Firmware 53

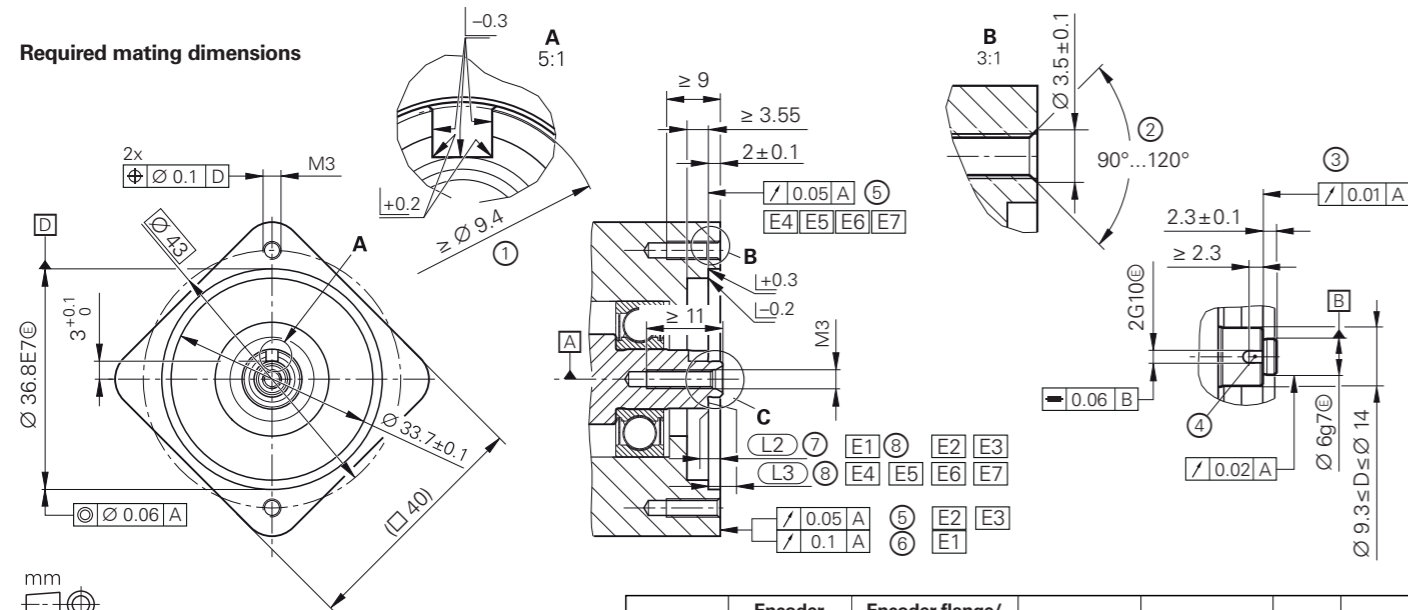
ECN 1123S, EQN 1135S

Rotary encoders for absolute position values with safe singleturn information

- 75A mounted stator coupling
- 1KA blind hollow shaft (Ø 6 mm) for axial clamping



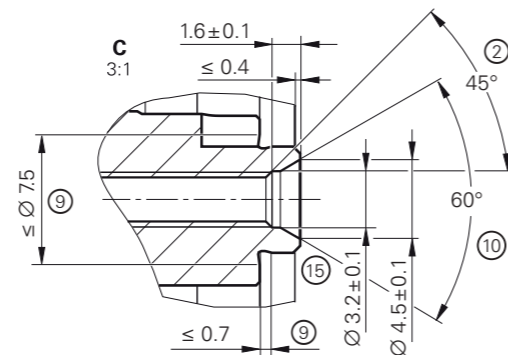
Required mating dimensions



mm
Tolerancing ISO 8015
ISO 2768:1989 - m H
≤ 6 mm: ±0.2 mm

Series	Encoder name	Encoder flange/stator coupling	Encoder shaft	Interface	L2	L3
E1	ECN/EQN	75A	1KA	EnDat01/22 DQ01	2±0.5	-
E2/E3	ECI/EQI	70C	1KA/82A	EnDat22/ E30-R2	2±0.4	-
E4/E6	ECI/EQI	70F	82A	EnDat22/ E30-R2	-	0±0.4
E5	ECI/EQI	70F	82A	EnDat01	-	0±0.3
E7	ECI/EBI	70E	82C	EnDat22	-	0±0.3

- = Bearing of mating shaft
- M1 = Measuring point for operating temperature
- M2 = Measuring point for vibration
- 1 = Contact surface of slot
- 2 = Chamfer at start of thread is mandatory for material bonding anti-rotation lock
- 3 = Shaft surface; ensure full-surface contact!
- 4 = Slot required only for ECN/EQN and ECI/EQI with WELLA1 = 1KA
- 5 = ExI flange surface; ensure full-surface contact!
- 6 = Coupling surface of ECN/EQN
- 7 = Maximum permissible deviation between the shaft surface and coupling surface; compensation of mounting tolerances and thermal expansion, of which ±0.15 mm of dynamic axial motion is permitted
- 8 = Maximum permissible deviation between shaft and flange surfaces. Compensation of mounting tolerances and thermal expansion
- 9 = Undercut
- 10 = Possible centering hole
- 11 = 15-pin PCB connector
- 12 = Cable fastener with crimp sleeve; diameter: 4.3 mm ±0.1 mm; length: 7 mm
- 13 = Positive locking element; ensure correct engagement in Slot 4 (e.g., by measuring the device overhang)
- 14 = Direction of shaft rotation for ascending position values
- 15 = Uncoated; shaft coating not permitted



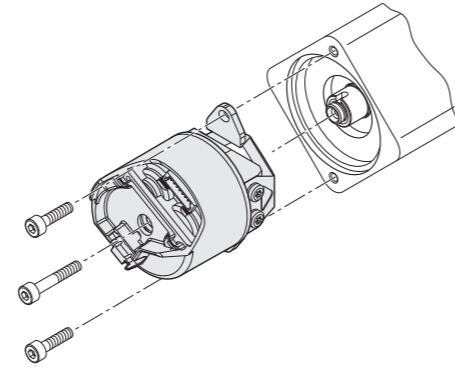
Specifications	ECN 1123S singleturn	EQN 1135S multiturn
Functional safety for applications with up to	As a single-encoder system for monitoring functions and closed-loop functions <ul style="list-style-type: none"> • SIL 2 as per EN 61508 (further basis for testing: IEC 61800-5-3) • Category 3, PL d, in accordance with EN ISO 13849-1:2015 Safe in singleturn operation	
PFH ¹⁾	≤ 27 · 10 ⁻⁹ (probability of dangerous failure per hour)	
Safe position ²⁾	Encoder: ±1.76° (safety-related measuring step SM = 0.7°) Mechanical coupling: ±2° (fault exclusion for the loosening of the shaft coupling and stator coupling, designed for accelerations ≤ 300 m/s ²)	
Interface/ordering designation	DRIVE-CLiQ / DQ01	
Firmware	01.32.26.53	
Siemens software ³⁾ Firmware 01.32.26.53	SINAMICS, SIMOTION: ≥ V4.4 HF4; SINUMERIK with safety: ≥ V4.4 SP2; SINUMERIK without safety: ≥ V4.4 SP1 HF3	
Position values per revolution	8388608 (23 bits)	
Revolutions	-	4096 (12 bits)
Calc. time TIME_MAX_ACTVAL ⁴⁾	≤ 8 µs	
System accuracy at 20 °C	±60°	
Electrical connection	15-pin PCB connector (with connection for external temperature sensor ⁵⁾)	
Cable length	≤ 40 m (see <i>Cable lengths</i> in the <i>Cables and Connectors</i> brochure)	
Supply voltage	DC 24 V (10 V to 28.8 V); up to DC 36.0 V possible without compromising functional safety	
Power consumption (max.)	At 10 V: ≤ 850 mW; at 28.8 V: ≤ 900 mW	At 10 V: ≤ 950 mW; at 28.8 V: ≤ 1000 mW
Current consumption (typical)	At 24 V: 32 mA (without load)	At 24 V: 35 mA (without load)
Shaft	1KA blind hollow shaft (Ø 6 mm) with positive-locking element	
Speed ⁶⁾	≤ 12000 rpm	
Starting torque (typical)	0.001 Nm (at 20 °C)	0.002 Nm (at 20 °C)
Moment of inertia of rotor	0.34 · 10 ⁻⁶ kgm ²	
Angular acceleration of rotor	≤ 1.0 · 10 ⁵ rad/s ²	
Axial motion of measured shaft	≤ ±0.5 mm	
Natural frequency f_N (typical)	≥ 1000 Hz	
Vibration 55 Hz to 2000 Hz Shock 6 ms	≤ 200 m/s ² (EN 60068-2-6); 10 Hz to 55 Hz, 3.2 mm constant peak to peak ≤ 2000 m/s ² (EN 60068-2-27)	
Operating temperature	-40 °C to 95 °C	
Trigger threshold of error message for excessive temperature	125 °C (measurement accuracy of the internal temperature sensor: ±7 K at 125 °C)	
Relative humidity	≤ 93% (40 °C/21 d as per EN 60068-2-78), without condensation	
Protection rating EN 60529	IP40 (read about insulation under <i>Electrical safety</i> in the <i>Interfaces of HEIDENHAIN Encoders</i> brochure; contamination from the ingress of liquid must be prevented)	
Mass	≈ 0.07 kg	
ID number	1211015-02	1211017-02

¹⁾ For use at ≤ 1000 m above sea level (≤ 6000 m above sea level upon request)
²⁾ Further tolerances may arise in the downstream electronics after position value comparison (contact manufacturer)
³⁾ Information from Siemens as per the document "Certified encoders with DRIVE-CLiQ Dependencies on SIMOTION / SINUMERIK and SINAMICS Hardware and Software versions"

⁴⁾ The calculation time TIME_MAX_ACTVAL specifies the time after which a data transfer from the encoder to the control can start within the current-regulator clock time.
⁵⁾ See *Temperature measurement in motors* in the *Encoders for Servo Drives* brochure.
⁶⁾ At ≥ 2 position requests per revolution

Mounting

The blind hollow shaft of the rotary encoder is seated onto the measured shaft and fastened with a central screw. It is particularly important to ensure that the positive-locking element of the rotary encoder shaft securely engages the corresponding slot in the measured shaft. Mounting on the stator side is performed without a centering collar on a flat surface with two clamping screws. Use screws with material bonding anti-rotation lock (see *Mounting accessories*).



Mounting accessories

Screws

Screws (central screw, mounting screws) are not included in delivery and can be ordered separately.

	Screws ¹⁾		Lot size
Central screw for ECN 1123	ISO 4762-M3×22-8.8-MKL	ID 202264-65	10 or 100
Central screw for EQN 1135	ISO 4762-M3×35-8.8-MKL	ID 202264-66	
Fastening screw for flange	ISO 4762-M3×10-8.8-MKL	ID 202264-87	20 or 200

¹⁾ With coating for material bonding anti-rotation lock

Please note the information on screws from HEIDENHAIN in the *Encoders for Servo Drives* brochure, under the heading *Screws with material bonding anti-rotation lock* in the chapter *General mechanical information*.

Mounting aid

To avoid damage to the cable, use the mounting aid to connect and disconnect the cable assembly. The pulling force must be applied solely to the connector and not to the wires.

ID 1075573-01

Mounting aid

The mounting aid allows the shaft of the rotary encoder to be turned from the rear of the device, making it easy to find the positive-locking connection between the encoder shaft and the measured shaft.

ID 821017-03



More information:

For the customer-side mounting design, the material properties and conditions in accordance with the General mechanical information in the *Encoders for Servo Drives* (ID 208922-xx) brochure must be complied with.

The material specifications for aluminum and steel apply both to the customer-side shaft and stator.



Integrated temperature evaluation

These rotary encoders feature a temperature sensor integrated into the encoder electronics and an evaluation circuit for an external temperature sensor. In both cases, the respective digitized temperature value is transmitted purely serially via the DRIVE-CLiQ interface. Please bear in mind that neither the temperature measurement nor the transmission of the temperature value is safe in terms of functional safety.

The temperature measured by the internal temperature sensor is higher by a device-specific and application-specific amount than the temperature at measuring point M1, as shown in the dimension drawing.

Upon reaching a trigger threshold for the internal temperature sensor, these rotary encoders issue an "Alarm 405" error message. This threshold may vary depending on the encoder model and is stated in the specifications. During operation, it is recommended that the temperature be kept adequately below this threshold.

Fulfillment of the encoder's intended use requires adherence to the operating temperature at measuring point M1.

The internal temperature sensor has an accuracy of ± 7 K.

Temperature measurement in motors

To protect a motor from overloading, the motor manufacturer usually installs a temperature sensor in close proximity to the motor winding.

A PT 1000 temperature sensor or a KTY 84-130 semiconductor sensor, for example, is to be used for this purpose. For a PT 1000, the following values apply with regard to the accuracy of the evaluation circuit:

± 4 K at 80 °C to 160 °C
 ± 6 K at -40 °C to 80 °C
 ± 6 K at 160 °C to 200 °C

For a KTY 84-130 semiconductor sensor, the following values apply with regard to the accuracy of the evaluation circuit:

± 2 K at 80 °C to 160 °C
 ± 6 K at -40 °C to 80 °C
 ± 6 K at 160 °C to 200 °C

The temperature values are transmitted via the DRIVE-CLiQ protocol.

The temperature sensor used is adjustable via Parameter 601 in the configuration software (e.g., Starter software) of the drive.

Online diagnostics and firmware version

Online diagnostics

For evaluation of the encoder's functionality, valuation numbers can be cyclically read from the encoder. These valuation numbers reflect the current status of the encoder and can be used to determine its function reserves. The function reserves are also transmitted via the DRIVE-CLiQ interface and can be displayed in the higher-level control.


Further information is available from HEIDENHAIN upon request.

Firmware version

The firmware version can be read out via the DRIVE-CLiQ parameter "Act_FW_Version" (index 0). The final two digits of the displayed value are decisive.

Electrical connection


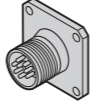

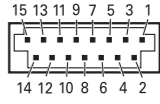



Cable

EPG encoder cable inside the motor $\varnothing 3.7 \text{ mm}$; $2 \times (2 \times 0.06 \text{ mm}^2) + 4 \times 0.06 \text{ mm}^2$; $A_p = 0.06 \text{ mm}^2$ With shield crimping ($\varnothing 4.3 \text{ mm}$) and wires for a temperature sensor ¹⁾ TPE $2 \times 0.16 \text{ mm}^2$		
With 15-pin PCB connector and 8-pin LK28 M12 flange socket (male) ²⁾		ID 1217143-xx

¹⁾ Electromagnetic compatibility must be ensured in the complete system

²⁾ The shield connection must be implemented on the motor side

Pin layout

8-pin M12 flange socket		15-pin PCB connector									
											
		Power supply			Serial data transmission				Other signals ¹⁾		
 M12	8	2	5	1	3	4	7	6	/	/	
 15	13	11	14	12	7	8	9	10	5	6	
	-	-	0V	U_P	RXP	RXN	TXP	TXN	T₊ ²⁾	T₋ ²⁾	
	Brown/ Green	Blue	White/ Green	White	Gray	Pink	Violet	Yellow	Brown	Green	

¹⁾ Only with output cables inside the motor housing

²⁾ Connections for external temperature sensor; evaluation optimized for KTY 84-130 (see *Temperature measurement in motors* in the *Encoders for Servo Drives* brochure)

Cable shield connected to housing; **U_P** = Power supply voltage

Vacant pins or wires must not be used!

Output cables with a cable length > 0.5 m require strain relief for the cable.

DRIVE-CLiQ is a registered trademark of Siemens AG

HEIDENHAIN

DR. JOHANNES HEIDENHAIN GmbH

Dr.-Johannes-Heidenhain-Straße 5

83301 Traunreut, Germany

☎ +49 8669 31-0

☎ +49 8669 32-5061

✉ info@heidenhain.de

www.heidenhain.com

This Product Information document supersedes all previous editions, which thereby become invalid. The basis for ordering from HEIDENHAIN is always the Product Information document edition valid when the order is placed.



More information:

Comply with the requirements described in the following documents to ensure correct and intended operation:

- Operating Instructions

1390322-xx